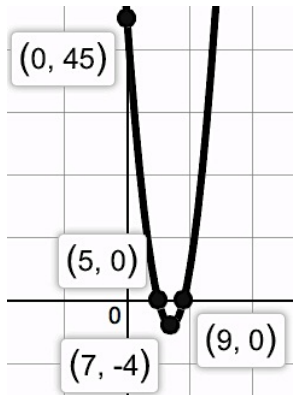


Details of a Quadratic *from the Graph*

1.



Domain: _____ Range: _____

Zeros: _____

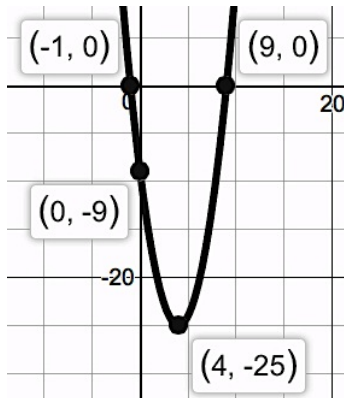
Interval of Increase: _____

Interval of Decrease: _____

x-intercept: _____

y-intercept: _____

2.



Domain: _____ Range: _____

Zeros: _____

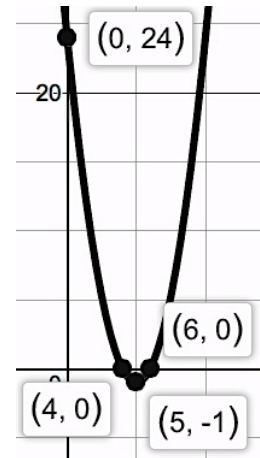
Interval of Increase: _____

Interval of Decrease: _____

x-intercept: _____

y-intercept: _____

3.



Domain: _____ Range: _____

Zeros: _____

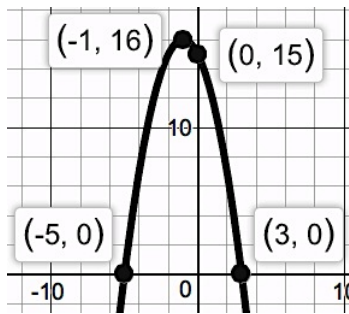
Interval of Increase: _____

Interval of Decrease: _____

x-intercept: _____

y-intercept: _____

4.



Domain: _____ Range: _____

Zeros: _____

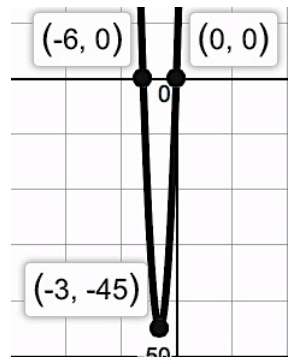
Interval of Increase: _____

Interval of Decrease: _____

x-intercept: _____

y-intercept: _____

5.



Domain: _____ Range: _____

Zeros: _____

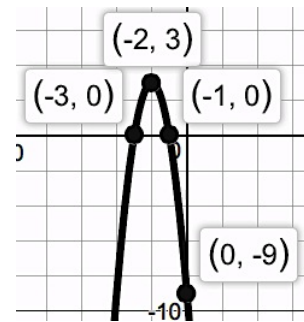
Interval of Increase: _____

Interval of Decrease: _____

x-intercept: _____

y-intercept: _____

6.



Domain: _____ Range: _____

Zeros: _____

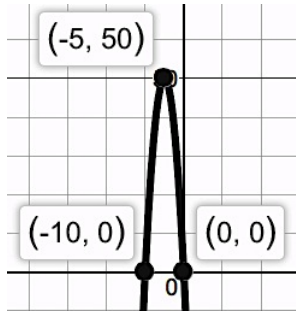
Interval of Increase: _____

Interval of Decrease: _____

x-intercept: _____

y-intercept: _____

7.



Domain: _____ Range: _____

Zeros: _____

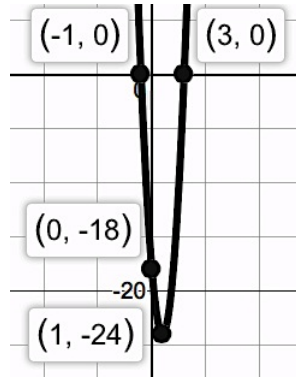
Interval of Increase: _____

Interval of Decrease: _____

x-intercept: _____

y-intercept: _____

8.



Domain: _____ Range: _____

Zeros: _____

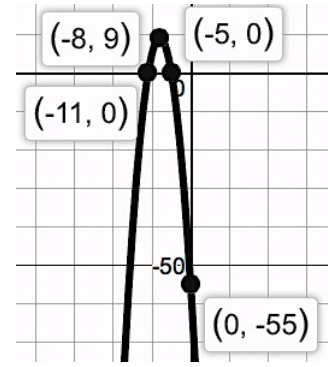
Interval of Increase: _____

Interval of Decrease: _____

x-intercept: _____

y-intercept: _____

9.



Domain: _____ Range: _____

Zeros: _____

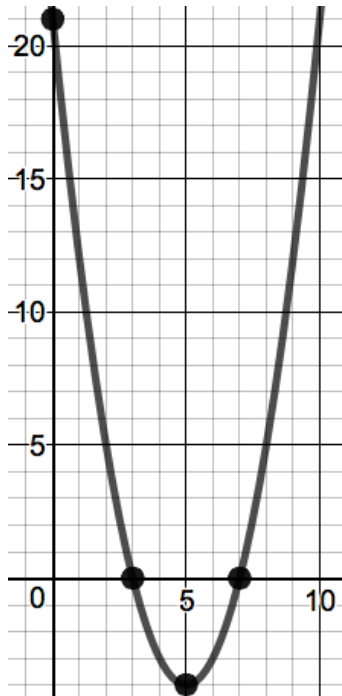
Interval of Increase: _____

Interval of Decrease: _____

x-intercept: _____

y-intercept: _____

10.



Domain: _____ Range: _____

Zeros: _____

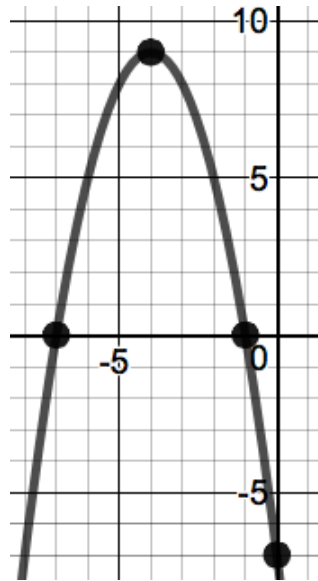
Interval of Increase: _____

Interval of Decrease: _____

x-intercept: _____

y-intercept: _____

11.



Domain: _____ Range: _____

Zeros: _____

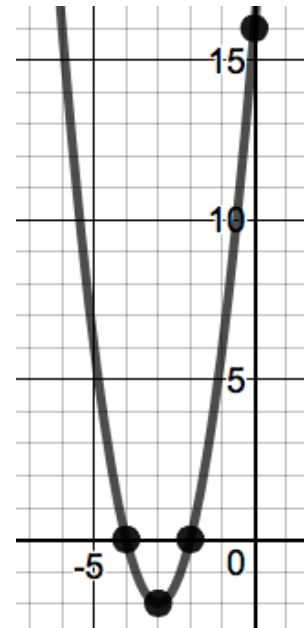
Interval of Increase: _____

Interval of Decrease: _____

x-intercept: _____

y-intercept: _____

12.



Domain: _____ Range: _____

Zeros: _____

Interval of Increase: _____

Interval of Decrease: _____

x-intercept: _____

y-intercept: _____